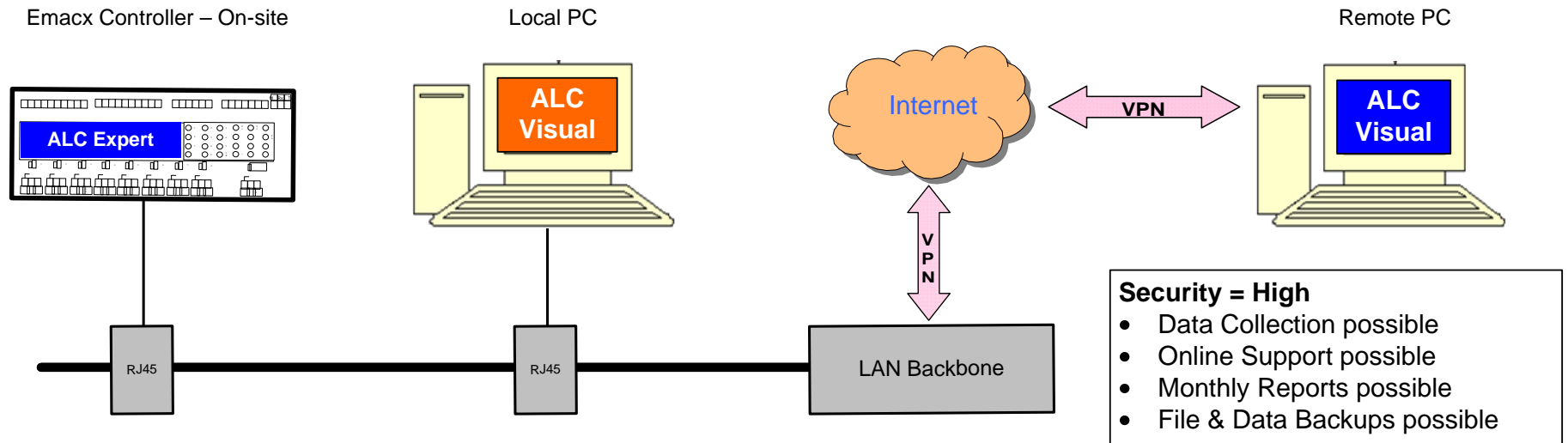
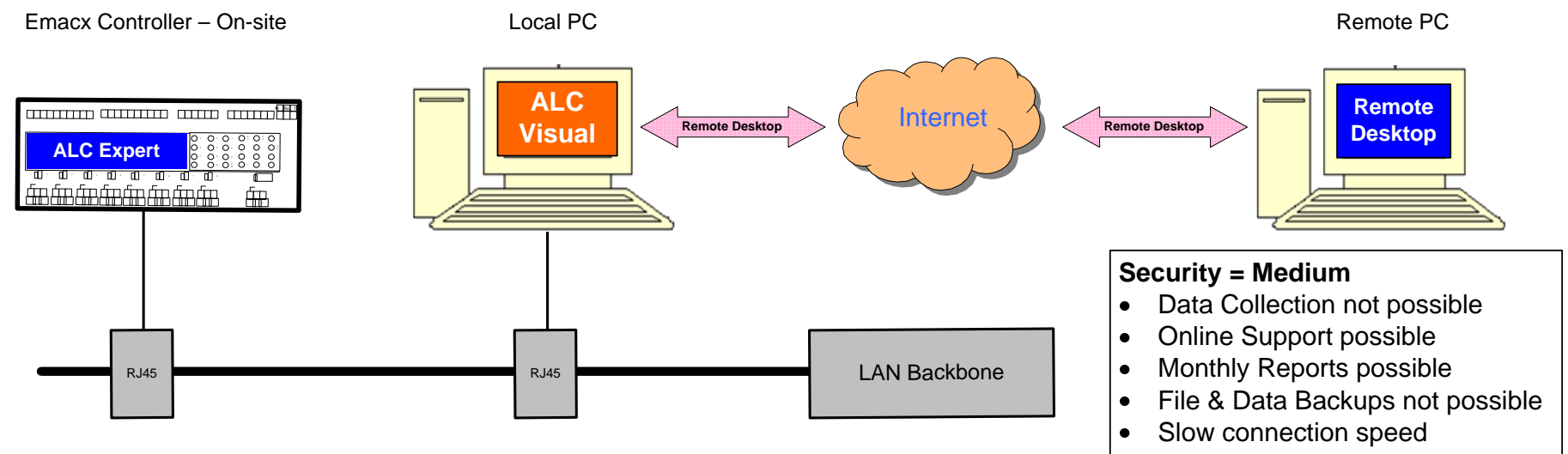


Remote Connection Methods

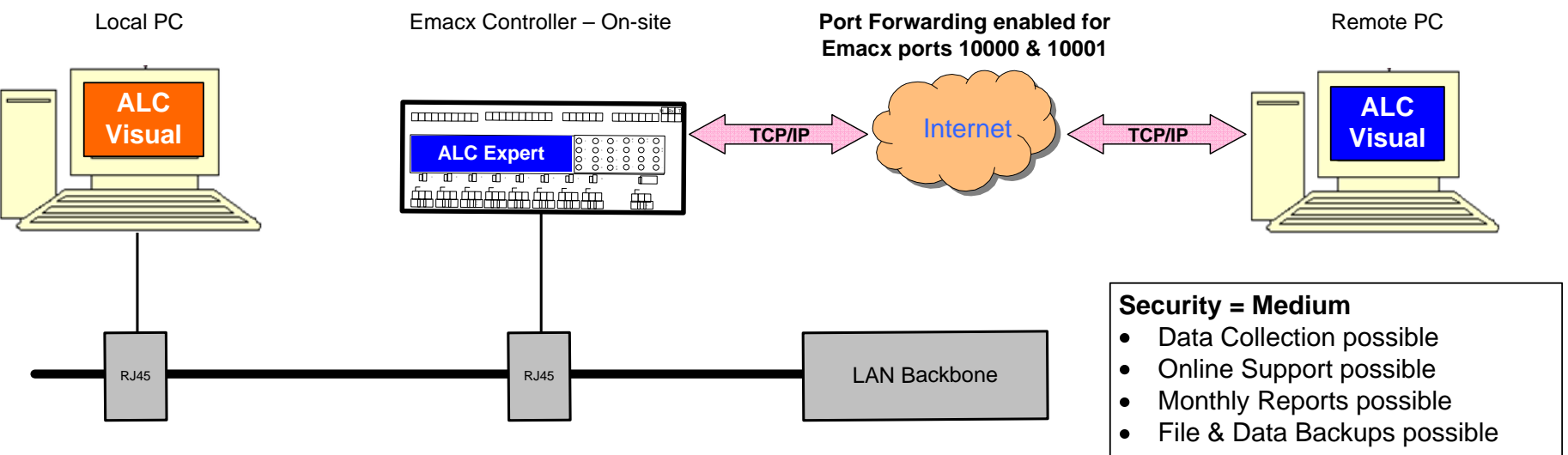
Method #1 – VPN Connection (preferred)



Method #2 – Remote Desktop Connection



Method #3 – External IP Connection / NAT



Method #4 – Meta-Frame Server Connection

