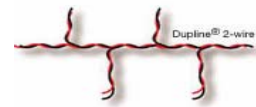
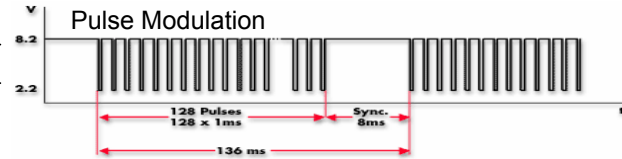
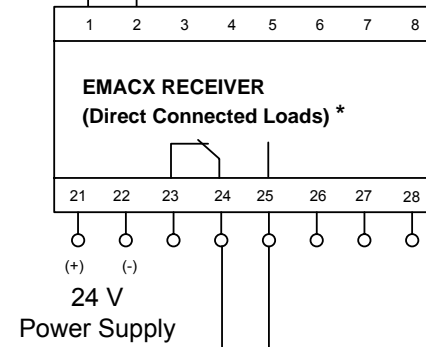


DIRECT LOAD CONNECTION

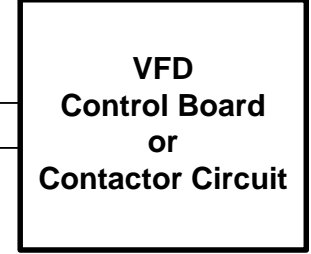


Line Configuration
Twisted Pair: 18AWG

Data Loop



* Dupline Receiver For Digital Signals
Type G 3430 1149 800
1 Channel

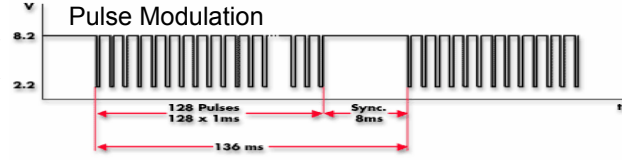
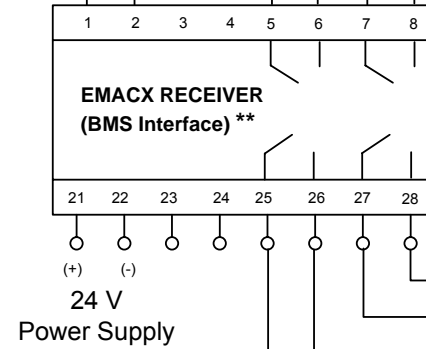


BMS INTERFACE CONNECTION

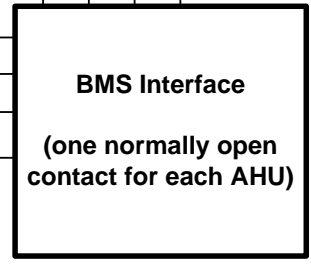


Line Configuration
Twisted Pair: 18AWG

Data Loop



** Dupline Receiver For Digital Signals
Type G 3430 4443 824
4 Channels



Emacx Systems, Inc.
100 Executive Drive, Suite 390
West Orange, NJ 07052
Phone: 1.800.781.1232
Fax: 973-243-0887
www.emacx.com



Notes:	Rev:	Date:	Drawn By:	Description:	Title:	Principle Bus-System Configuration
		4/28/08			Customer:	
					Project:	Emacx Demand Control System